



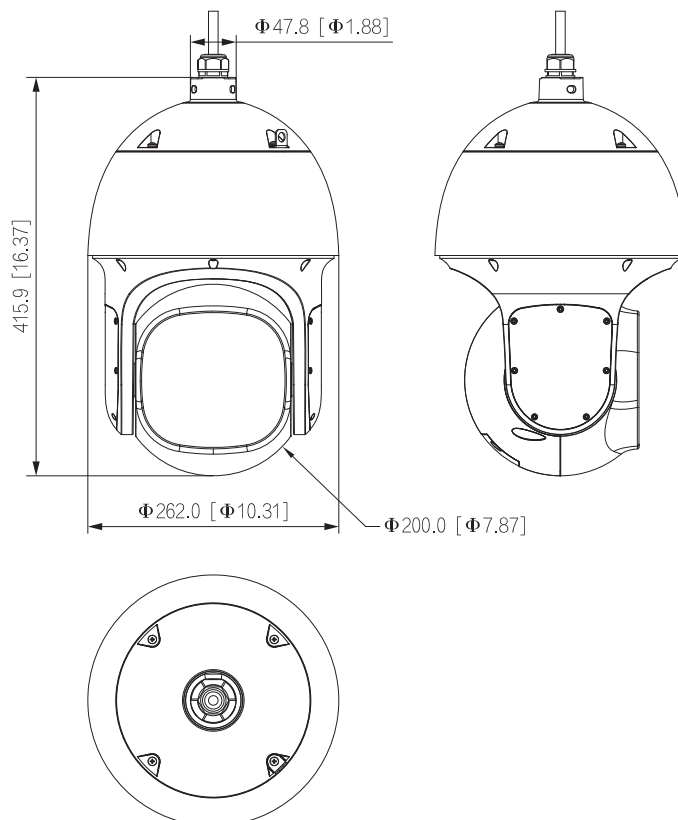
**VTM-PTZ8333-AD**  
 8MP 33x  
 IR Network PTZ  
 Camera

Product Highlights

- 1/1.8" 8Megapixel STARVIS™ CMOS.
- 33x optical zoom.
- Starlight+ technology.
- IR distance up to 500 m.
- Auto tracking 3.0.
- Perimeter protection.
- Face detection.
- Video Metadata.
- SMD 4.0.
- IP67, IK10.



Dimensions (mm[inch])



Accessories

Included:



## Technical Specification

### Technical Specification

#### Camera

Image Sensor	1/1.8" CMOS
Pixel	8 MP
Max. Resolution	3840 (H) × 2160 (V)
ROM	4 GB
RAM	2 GB
Electronic Shutter Speed	1 s–1/30,000 s
Scanning System	Progressive
Min. Illumination	0.001 lux@F1.6 (Color, 30 IRE); 0.0001 lux@F1.6 (B/W, 30 IRE); 0 lux (illuminator on)
Illumination Distance	500 m (1640.42 ft) (IR)
Illuminator On/Off Control	Zoom Prio; Manual; Auto; Off
Illuminator Number	10 (IR light)

#### Lens

Focal Length	6.5 mm–214.5 mm										
Max. Aperture	F1.6–F4.9										
Field of View	H: 63.9°–2.1°; V: 37.3°–1.2°; D: 71.2°–2.4°										
Optical Zoom	33 ×										
Focus Control	Auto; semi-auto; manual										
Close Focus Distance	1 m–8 m (3.28 ft–26.25 ft)										
Iris Control	Auto; manual; iris prio										
DORI Distance	<table border="1"> <thead> <tr> <th></th> <th>Detect</th> <th>Observe</th> <th>Recognize</th> <th>Identify</th> </tr> </thead> <tbody> <tr> <td></td> <td>3,808 m (12493.44 ft)</td> <td>1504.2 m (4935.04 ft)</td> <td>761.6 m (2498.69 ft)</td> <td>380.8 m (1249.34 ft)</td> </tr> </tbody> </table>		Detect	Observe	Recognize	Identify		3,808 m (12493.44 ft)	1504.2 m (4935.04 ft)	761.6 m (2498.69 ft)	380.8 m (1249.34 ft)
		Detect	Observe	Recognize	Identify						
		3,808 m (12493.44 ft)	1504.2 m (4935.04 ft)	761.6 m (2498.69 ft)	380.8 m (1249.34 ft)						
*DORI (Detect, Observe, Recognize, Identify) is a standard system (EN-62676-4) for defining the ability of a person viewing the video to distinguish persons or objects within a covered area. The numbers in this table do not reflect intelligent function distances. For intelligent function distances, refer to installation and commissioning manual/project design tool.											

#### PTZ

Pan/Tilt Range	Pan: 0° to 360° endless; Tilt: –30° to +90°, auto flip 180°
Manual Control Speed	Pan: 0°/s–300°/s Tilt: 0°/s–200°/s
Preset Speed	Pan: 0°/s–300°/s; Tilt: 0°/s–100°/s
Preset	300
Tour	8 (up to 32 presets per tour)
Pattern	5
Scan	5
Power-off Memory	Yes
Idle Motion	Pattern; Preset; Scan; Tour
PTZ Protocol	VTM-SD Pelco-P/D (Auto recognition)

### Intelligence

Video Metadata	Supports detection of motor vehicles, non-motor vehicles, faces and human bodies, optimization, capturing pictures, and uploading high-quality face snapshots. It extracts attributes from motor vehicles and non-motors, detecting up to 10 attributes for motor vehicles.
IVS (Perimeter Protection)	Tripwire; intrusion; crossing fence detection; loitering detection; abandoned/missing object; fast moving; parking detection; people gathering; human alarm classification; linkage tracking.
Face Detection	Supports face detection, optimization, capturing pictures, uploading high-quality face snapshots and enhancing face images. Attribute Extraction is also supported, where 6 attributes and 8 expressions can be detected. Face cutout is also offered, where you can cutout one face at a time and customize the size to be a one-inch photo. The supported methods for capturing snapshots are real-time capturing, quality first, and selecting a preferred image among a group of snapshots.
Auto Tracking	Auto tracking 3.0
SMD	SMD4.0
Quick Pick	Yes

### Active Deterrence

Sound Warning	Offers 11 sound alarms and supports importing 10 custom sound alarms. Play time can be set from 1 to 10.
---------------	--

### Video

Video Compression	H.264H;H.264B;Smart H.265+;H.264;H.265;MJPEG(Sub Stream);Smart H.264+
Streaming Capability	3 streams
Resolution	4K (3840 × 2160); 4M (2560 × 1440); 3M (2048 × 1536); 3M (2304 × 1296); 1080p (1920 × 1080); 720p (1280 × 720); 1.3M (1280 × 960); D1 (704 × 576/704 × 480); VGA (640 × 480); CIF (352 × 288/352 × 240)
Video Frame Rate	Main stream: 8M/4M/1080p/960p/720p@(1–25/30 fps) Sub stream 1: D1/VGA/CIF@(1–25/30 fps) Sub stream 2: 1080p/960p/720p@(1–25/30 fps)
Bit Rate Control	CBR/VBR
Video Bit Rate	H264: 128 Kbps–16,384 Kbps H265: 51 Kbps–11,776 Kbps
Day/Night	Auto; Color; B/W; Electronic
BLC	Yes
WDR	120 dB
HLC	Yes
White Balance	Auto; indoor; outdoor; tracking; manual; sodium lamp; natural light; street lamp
Gain Control	Auto; manual; gain prio
Noise Reduction	2D NR; 3D NR
Motion Detection	Yes
Region of Interest (RoI)	Yes
Image Stabilization	Electronic Image Stabilization (EIS)
Defog	Electronic

## Technical Specifications

Digital Zoom	16x
Image Rotation	180°
Privacy Masking	Up to 24 areas can be set, with up to 8 areas in the same view; Multiple colors available
S/N Ratio	≥55 dB

### Audio

Audio Compression	PCM; G.711a; G.711Mu; G.726; MPEG2-Layer2; G722.1; G729; G723
-------------------	---

### Network

Network Port	RJ-45 (10/100 Base-T)
Network Protocol	FTP;RTMP;IPv6;Bonjour;IPv4;DNS;RTCP;PPPoE;NTP;RTP;802.1x;QoS;HTTPS;SNMP;TCP/IP;DDNS;UPnP;NFS;ICMP;UDP;IGMP;HTTP;SSL;DHCP;SMTP;RTSP;ARP;SSH
Interoperability	ONVIF (Profile S & Profile G & Profile T & Profile M); CGI; SDK
Streaming Method	Unicast/Multicast
User/Host	20 (total bandwidth: 64 M)
Storage	Micro SD card (512 GB); FTP/SFTP; NAS
Browser	IE 9 and later versions; Chrome 41 and later versions; Firefox 52 and later versions; Safari 10 and later versions
Management Software	Viziontech VMS Professional
Mobile Client	iOS; Android

### Port

RS-485	1 (baud rate: 1200 bps–9600 bps)
Audio Input	1 channel (LINE IN, bare wire)
Audio Output	1 channel (LINE OUT, bare wire)
Alarm Input	7 (on-off value input: 0–5 VDC)
Alarm Output	2 channels
Alarm Linkage	Capture; recording; send email; preset; tour; pattern; alarm digital output; audio
Alarm Event	Motion/tampering detection; audio detection; network disconnection detection; IP conflict detection; memory card state detection; memory space detection; power exception detection
Power	
Power Supply	36 VDC, 2.23 A ± 25% (included); HI-PoE(802.3bt)
Power Consumption	Basic: 17 W; Max: 33 W (illuminator +Heater+ PTZ)

### Environment

Operating Temperature	–40 °C to +70 °C (–40 °F to +158 °F)
Operating Humidity	≤95%
Protection	TVS 8000 V lightning proof;IK10;IP67; surge protection; voltage transient protection

### Structure

Product Dimensions	415.9 mm × Φ 262.0 mm (16.37" × Φ 10.31")
Net Weight	8.5 kg (18.74 lb)
Gross Weight	13.1 kg (28.88 lb)

### Functions

#### Perimeter Protection

Automatically filters out false alarms caused by animals, rustling leaves, bright lights, and more, and uses secondary recognition during target detection to improve alarm accuracy.

#### Protection (IP67, TVS 8000 V)

IP67, TVS 8000 V lightning proof, surge protection, and voltage transient protection.

#### Video Metadata

Metadata is information on the attributes of targets that is extracted during monitoring. It can be used for data retrieval. There are four kinds of metadata supported by Viziontech PTZ WizMind cameras: Human face, human body, motor vehicle and non-motor vehicle. Face information includes gender, age, glasses, masks, beards, and more. Human body information includes hat, top, top color, bottom, bottom color, bag, and more. Motor vehicle information includes plate color, type, vehicle color, sun visor, ornament, calling, seatbelt, smoking, annual inspection sticker, and more. Non-motor vehicle information includes type, color, top type, top color, people number, and more.

#### Cybersecurity

Integrates a hardware-based security platform to protect cameras, providing features to safeguard device identity, ensure its integrity, and protect sensitive information from unauthorized access.